

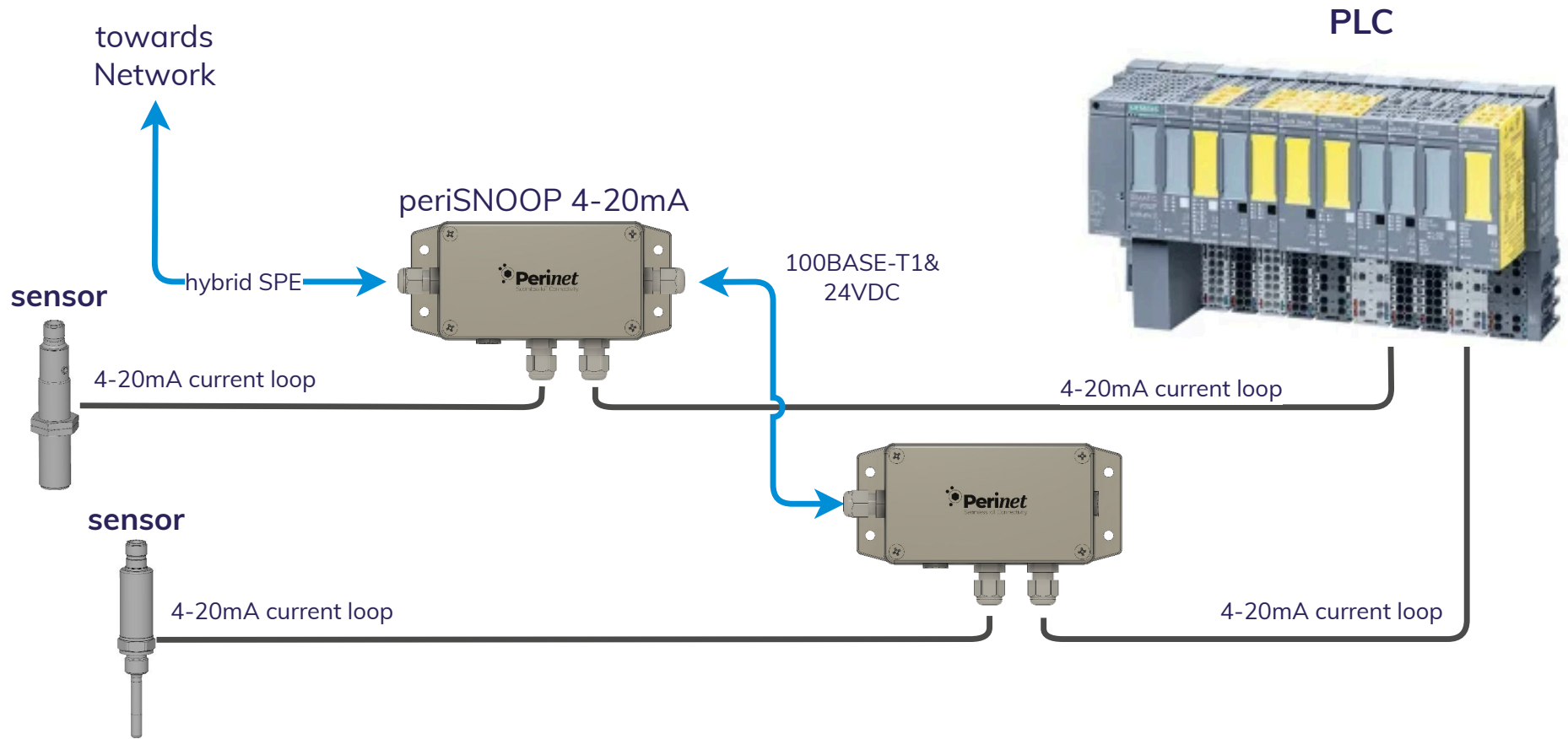
# periSNOOP 4-20mA

Single Pair Ethernet 4-20mA current loop monitoring device

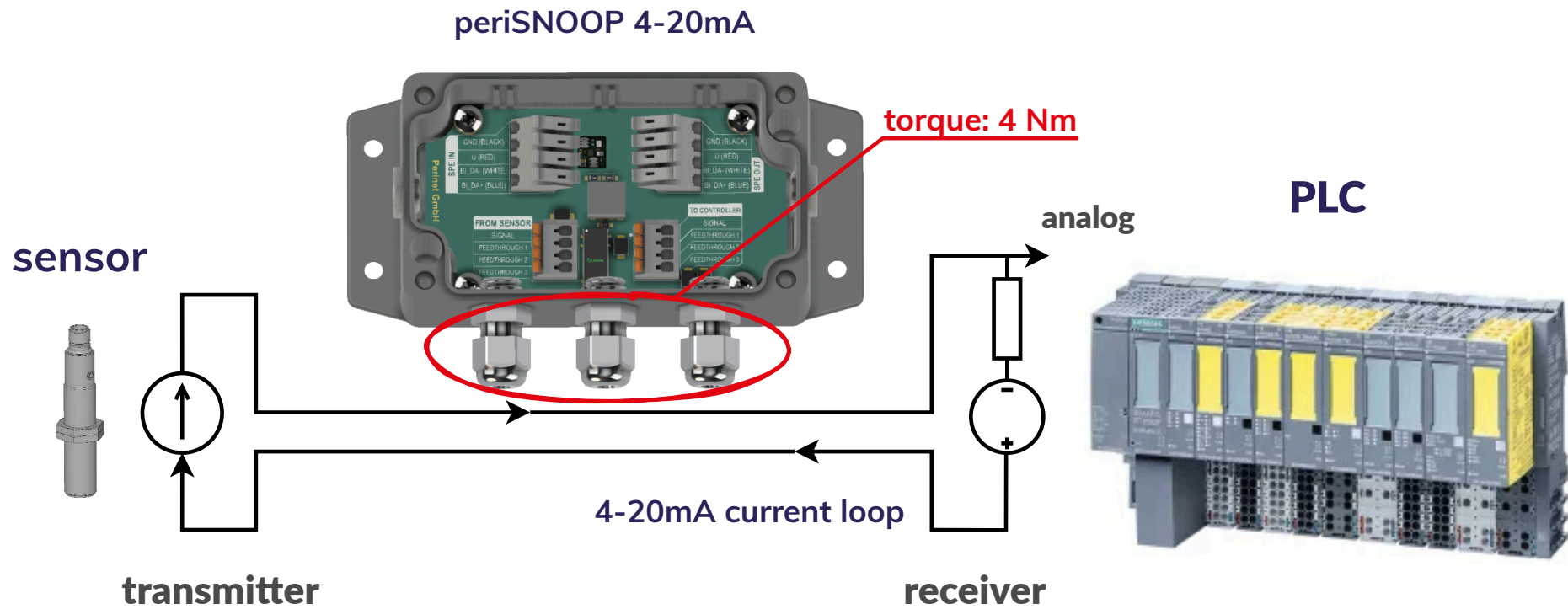


Quickstart Guide

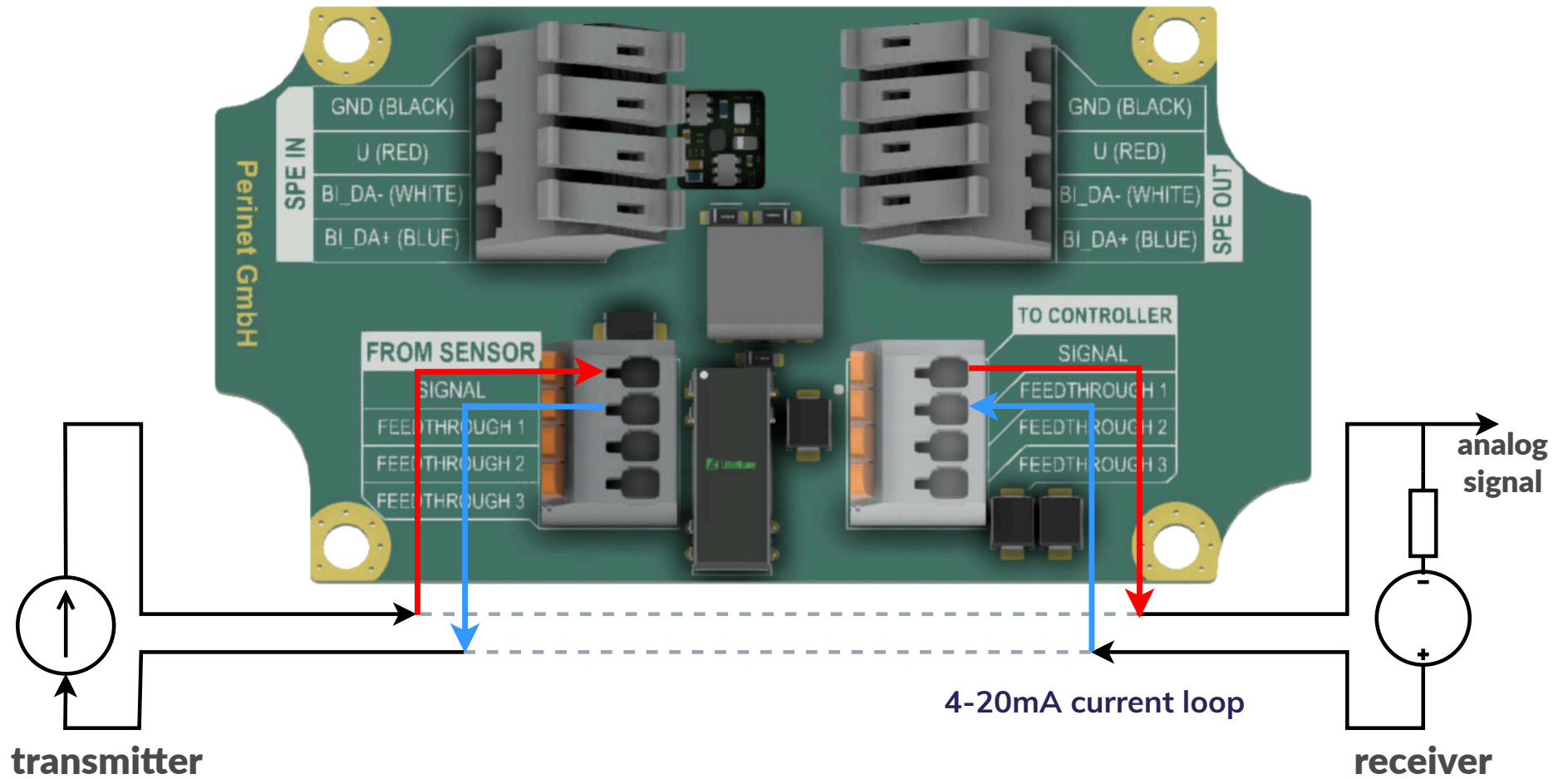
# 1 Typical Application



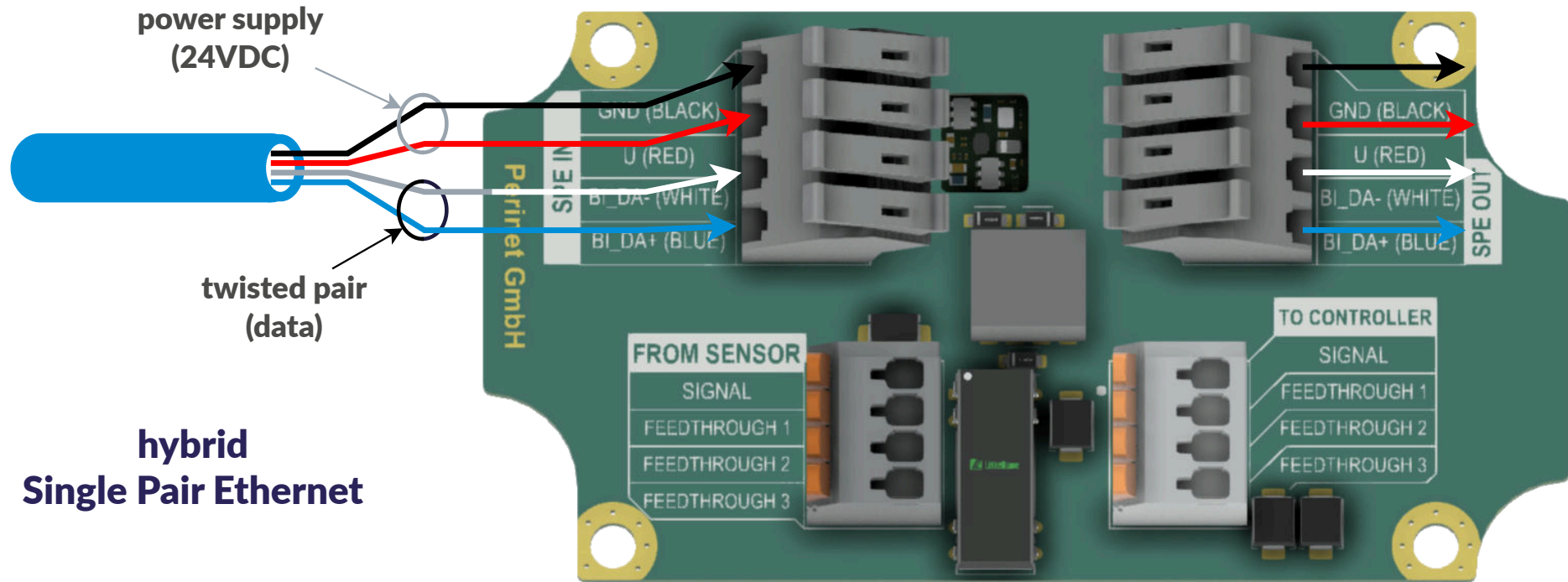
## 2 2-wire Current Loop Overview



### 3 2-wire Current Loop Installation



# 4 Network Installation



Caution: Incorrect wiring during installation may cause irreversible damage to the device.

## 5 Access Integrated WebUI

The image shows a Perinet device information card and a browser window displaying its web interface. The device card lists the following details:

S/N	sernm	type	periSNOOP 4-20mA
MAC address	74:2E:DB:02:3D:8B	part no.	PRN.000.069
device name	periSNOOP-sernm	version	1
protection class	IP67/IP65	power supply	24V ---

The browser window shows the URL <https://periSNOOP-sernm.local> and the Perinet logo with the tagline "Seamless IoT Connectivity". The main content area features a green device icon labeled "periSNOOP 4-20mA" and a large graph showing a constant value of 117.93 mm over time. The graph's y-axis is labeled "mm" and ranges from 0 to 300. The x-axis is labeled "time" and shows a range from 2/2/24 10:33am to 10:34am. Below the graph, the current value is displayed as "mm: 117.93mm", with "max: 300 mm" and "min: 40 mm". The footer contains contact information for Perinet GmbH and a welcome message.

**https://periSNOOP-sernm.local**

Perinet GmbH  
Rudower Chaussee 29  
12489 Berlin

welcome@perinet.io  
www.perinet.io  
+49 30 86 32 06 700

## 6 Configure Measurement Transformation

sensor



perisNOOP Web Server | x +

https://perisnoop-sermm.local/config.html

Perinet Seamless IoT Connectivity

Home Information Configuration Security Firmware update API documentation Online documentation

perisNOOP 4-20mA

### Configuration

Transformation

Displayed Unit:

Minimal Value:

Maximal Value:

Polynomial function:

welcome@perinet.io  
www.perinet.io  
+49 30 86 32 06 700

**transform(4-20mA) to 40-300mm**

$$y=16.25*x-25$$

## 7 Further Information



<https://docs.perinet.io>